



WaterPLUS

Select water-cooled scroll chiller...



... or remote condenser scroll chiller



and build up a chilled water station adding modules.

// High capacity on scroll compressors

Up to 930 kW

New cooling capacity for scroll chillers. Based on new scroll compressors from the leading compressor manufacturer.

// Small footprint

1100 kW units:



WaterPLUS 300.6



DX Evaporator Screw Chiller



Flooded Evaporator Screw Chiller

Unit footprint is as small as possible. To make it easy to move the units to the installation site through standard doors.

// Easy movement



Factory packed units can be easily moved with hydraulic pallet jack. Size with wooden pack is only 880x1975mm, so the units fit standard doorways. For fast movement and location inside the buildings.

// Advanced control of the unit and external devices from chiller controller.

// Totally independent refrigerant circuits on 2 circuit units.

// High quality scroll compressors, heat exchangers and controllers.

// No exclusives: only components available on your market.

// Wide selection of options.

// Possibility to build up to chilled water station.

Product range



// Water-cooled chillers

	20.2	24.2	30.2	40.2	40.4	50.2	48.4	55.2	60.2
Water-cooled chillers capacities. User water 12/7°C, condenser water 30/35°C									
Cooling capacity, kW	65	74	96	129	131	147	149	166	197
Power input, kW	14	15	20	27	27	33	31	38	41
EER	4,82	4,81	4,87	4,78	4	4,49	4,81	4,40	4,76
Remote condenser chillers capacities. User water 12/7°C, condensing temperature 45°C									
Cooling capacity, kW	59	68	87	118	119	135	135	154	179
Power input, kW	16	18	23	32	32	38	36	43	48
EER	3,7	3,73	3,76	3,69	3,7	3,6	3,73	3,59	3,98
Product data									
Number of compressors	2	2	2	2	4	2	4	2	2
Number of circuits	1	1	1	1	1	1	1	1	1
Sound power, dBA	77	78	80	85	85	88	86	88	88
Sound pressure, dBA	61	62	64	68	68	71	69	71	71
Sound power, dBA (with LN option)	70	78	73	78	78	81	79	81	81
Sound pressure, dBA (with LN option)	54	62	57	61	61	64	62	64	64
Length, m	1,51	1,51	1,51	1,51	2,01	1,51	2,01	1,51	1,51
Width, m	0,88	0,88	0,88	0,88	0,88	0,88	0,88	0,88	0,88
Hight, m	1,1	1,1	1,1	1,88	1,88	1,88	1,88	1,88	1,88
Weight, kg	391	495	495	689	794	715	794	745	770

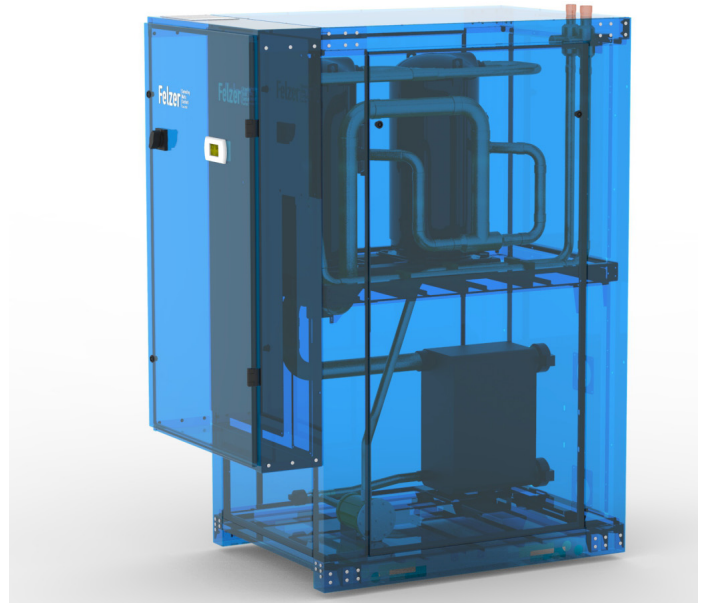
Product range



// Water-cooled chillers

	60.4	70.2	80.2	90.3	100.2	110.4	120.3	120.4	140.3
Water-cooled chillers capacities. User water 12/7°C, condenser water 30/35°C									
Cooling capacity, kW	192	221	245	290	313	332	369	393	436
Power input, kW	39	47	53	61	63	75	78	83	88
EER	4,87	4,67	4,60	4,74	5	4,40	4,72	4,76	4,93
Remote condenser chillers capacities. User water 12/7°C, condensing temperature 45°C									
Cooling capacity, kW	174	202	224	262	282	307	335	357	392
Power input, kW	46	55	61	72	76	86	92	96	106
EER	3,76	3,69	3,67	3,65	3,71	3,59	3,66	3,76	3,69
Product data									
Number of compressors	4	2	2	3	2	4	2	4	3
Number of circuits	1	1	1	1	1	2	1	2	1
Sound power, dBA	88	90	92	90	92	91	92	91	94
Sound pressure, dBA	71	73	75	73	75	74	75	74	77
Sound power, dBA (with LN option)	81	83	85	83	85	84	85	84	87
Sound pressure, dBA (with LN option)	64	66	68	66	68	67	68	67	70
Length, m	2,01	1,51	1,51	2,01	1,51	2,01	1,51	2,01	2,01
Width, m	0,88	0,88	0,88	0,88	0,88	0,88	0,88	0,88	0,88
Hight, m	1,88	1,88	1,88	1,88	1,88	1,88	1,88	1,88	1,88
Weight, kg	794	820	840	1150	1051	1315	1428	1484	1428

// Remote condenser chillers



	140.4	150.3	160.4	180.6	200.4	240.4	280.6	300.6
Water-cooled chillers capacities. User water 12/7°C, condenser water 30/35°C								
Cooling capacity, kW	442	466	489	580	626	805	871	932
Power input, kW	95	95	106	122	125	168	190	198
EER	4,67	4,9	4,60	4,74	4,5	4,8	4,89	4,71
Remote condenser chillers capacities. User water 12/7°C, condensing temperature 45°C								
Cooling capacity, kW	403	422	448	525	564	730	785	845
Power input, kW	109	114	122	144	152	198	213	228
EER	3,69	3,7	3,67	3,65	3,71	3,68	3,69	3,71
Product data								
Number of compressors	4	3	4	6	4	4	6	5
Number of circuits	2	1	2	2	2	2	2	2
Sound power, dBA	93	94	95	93	95	95	97	96
Sound pressure, dBA	76	77	78	75	78	78	79	78
Sound power, dBA (with LN option)	86	87	88	86	88	88	90	89
Sound pressure, dBA (with LN option)	69	70	71	68	71	71	72	71
Length, m	2,01	2,01	2,01	2,76	2,16	2,16	2,76	2,76
Width, m	0,88	0,88	0,88	0,88	0,88	0,88	0,88	0,88
Hight, m	1,88	1,88	1,88	1,88	1,88	1,88	1,88	1,88
Weight, kg	1518	1500	1551	2146	2030	2174	2760	2647

Chilled water stations



Plug-and-Play factory solution

- // Control all the system from chiller controller using advanced and proven algorithms
- // Buy all the system components in cabinet build modules with factory warranty
- // Just connect modules and start
- // Decrease your installation and operation costs
- // Make all your system on factory

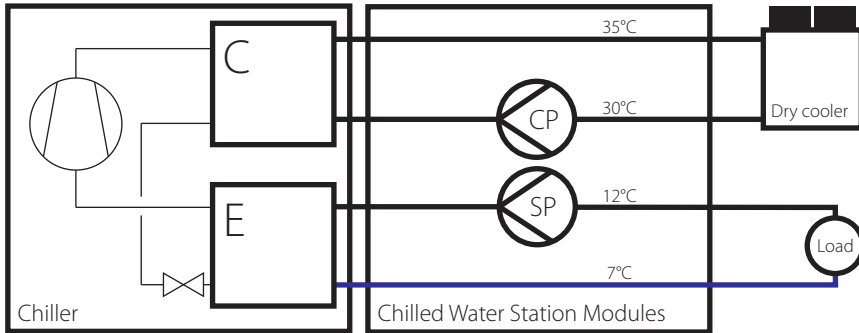
// Layout



Modules can be placed close to each other or separately in the same or different rooms.

You can add VWF or Flow-through tank with up to 6 pumps, free cooling system and condensing pressure control in up to 3 modules (tank will be supplied separately for 240.4+ sizes). See product data and selection soft for details.

// Condenser & System pumps



Condenser and system pumps from leading suppliers. Choose high or low pressure or special pump.

SPL - Low pressure system pump

SPH - High pressure system pump

CPL - Low pressure condenser pump

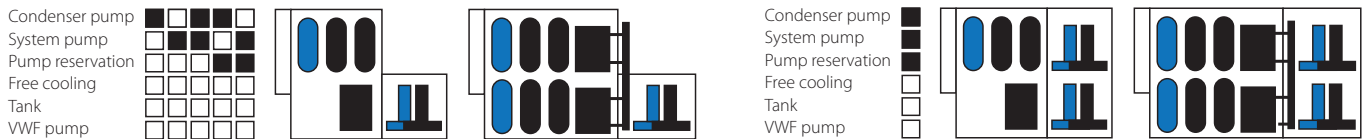
CPH - High pressure condenser pump

Available options:

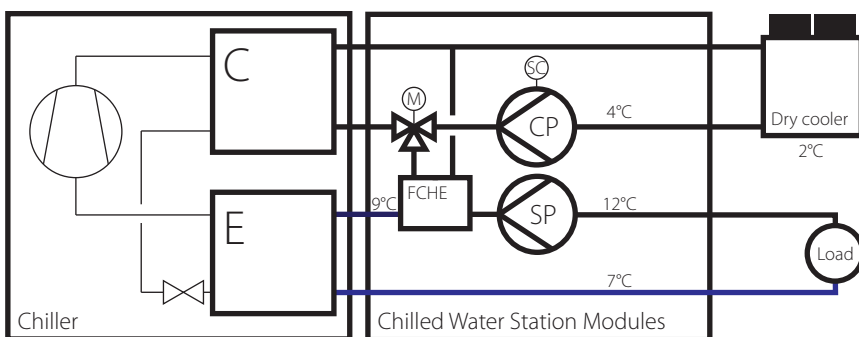
// Reservation (x2) - all pumps have 100% reservation. Working hours equalization. Second pump is started if the first is in alarm.

// Inverter condenser pumps (CPLI, CPHI) - Condensing pressure control with variable flowrate or speed limitation for energy efficient operation.

// Inverter system pumps (SPLI, SPHI) - Differential pressure control with variable flowrate or speed limitation for energy efficient operation.



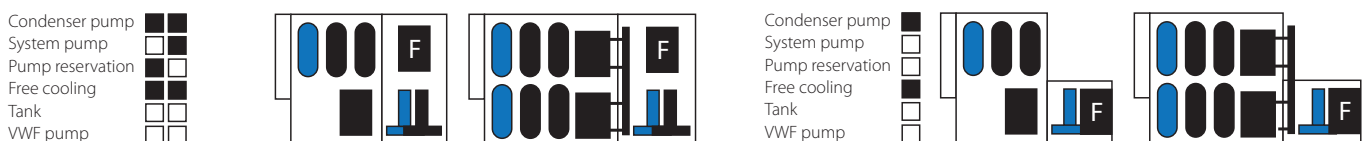
// Free cooling system



If ambient temperature is lower than system return water temperature the unit will start chilling condenser brine in the dry cooler. After this return water will be chilled by brine for free. Compressors will work less time and This reduce electrical consumption. Unit will work all year around even in the lowest ambient temperatures.

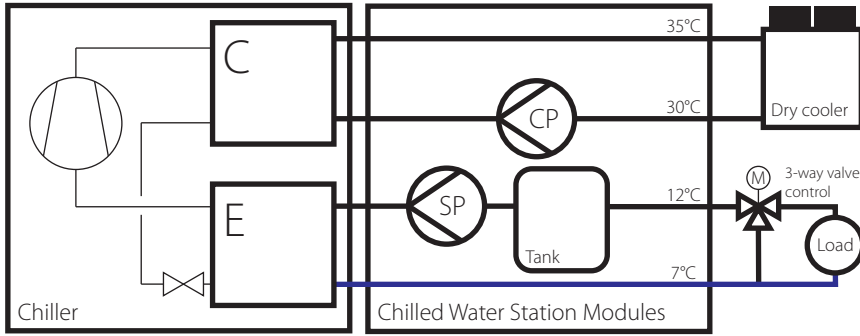
This option is available only with inverter condenser pump option.

The dry cooler fans speed shall be controlled from the chiller controller.



Chilled water stations

// Flow-through system tank



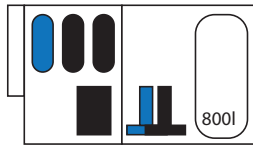
You can add Flow-through insulated system tank to Felzer chilled water station.

This option suits systems with 3-way valves control for heat loads (fan coils, AHU coolers, etc.). For 2-way valve control choose VWF tank option.

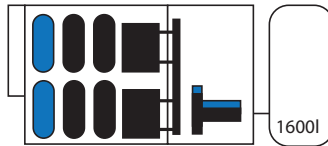
This option is available only with system pump option.

- Condenser pump
- System pump
- Pump reservation
- Free cooling
- Tank
- VWF pump

Up to 240.4

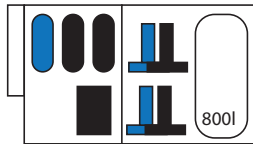


From 280.6

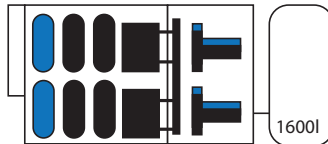


- Condenser pump
- System pump
- Pump reservation
- Free cooling
- Tank
- VWF pump

Up to 240.4

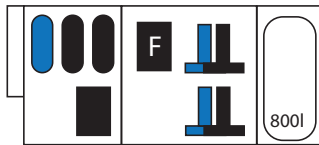


From 280.6

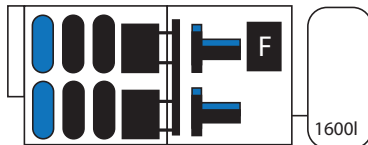


- Condenser pump
- System pump
- Pump reservation
- Free cooling
- Tank
- VWF pump

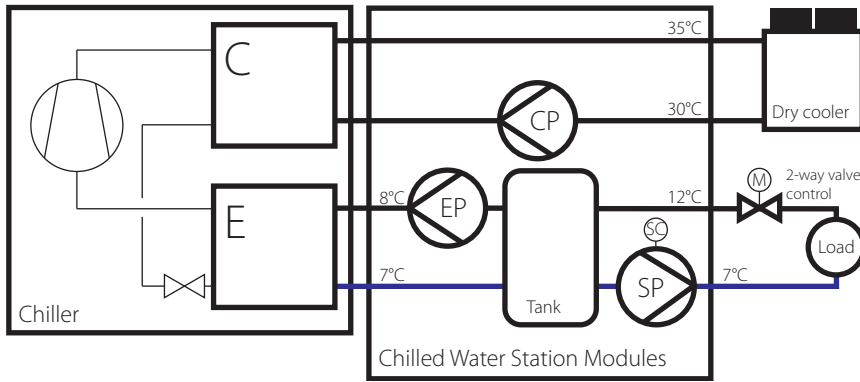
Up to 240.4



From 280.6



// Variable-water flow VWF tank



VWF system includes hydronic separator 4-connection tank and evaporator very low pressure and power pump. Evaporator pump works all the time to assure required flowrate on evaporator.

VWF system allows to use inverter system pump (may be optionally included or external) with 0-100% variable flowrate. Thus, to design all the system with 2-way valves, to decrease energy consumption and installation costs.

<ul style="list-style-type: none"> Condenser pump <input type="checkbox"/> System pump <input type="checkbox"/> Pump reservation <input type="checkbox"/> Free cooling <input type="checkbox"/> Tank <input type="checkbox"/> VWF pump <input type="checkbox"/> 	Up to 240.4		From 280.6	
<ul style="list-style-type: none"> Condenser pump <input type="checkbox"/> System pump <input type="checkbox"/> Pump reservation <input type="checkbox"/> Free cooling <input type="checkbox"/> Tank <input type="checkbox"/> VWF pump <input type="checkbox"/> 	Up to 240.4		From 280.6	
<ul style="list-style-type: none"> Condenser pump <input type="checkbox"/> System pump <input type="checkbox"/> Pump reservation <input type="checkbox"/> Free cooling <input type="checkbox"/> Tank <input type="checkbox"/> VWF pump <input type="checkbox"/> 	Up to 240.4		From 280.6	
<ul style="list-style-type: none"> Condenser pump <input type="checkbox"/> System pump <input type="checkbox"/> Pump reservation <input type="checkbox"/> Free cooling <input type="checkbox"/> Tank <input type="checkbox"/> VWF pump <input type="checkbox"/> 	Up to 240.4		From 280.6	
<ul style="list-style-type: none"> Condenser pump <input type="checkbox"/> System pump <input type="checkbox"/> Pump reservation <input type="checkbox"/> Free cooling <input type="checkbox"/> Tank <input type="checkbox"/> VWF pump <input type="checkbox"/> 	Up to 240.4		From 280.6	

Options

// Low noise panels (LN)



Decrease noise level with optional low noise enclosure panels with sound insulation.



// Collectors for 2 circuit units



2 circuit units have totally independent refrigerant circuits. You can collect water from 2 evaporators / 2 condensers by your installation site piping. Or you can order factory build collectors for evaporators and condensers.

Collectors are included in all the hydraulic kits.

// Low ambient temperature control

-35°C

CPW option for water cooled chillers - 3 way valve for condensing pressure control. Installed between condenser pump and dry cooler. If condenser pump is included in the unit.

BP option for remote condenser chiller. Down to -35°C ambient temperature. Condenser bypass and liquid receiver for flooded condenser operation in the unit. EC fans condenser (controlled from the unit) with vertical blow or wind baffles is recommended for stable operation.

// The customer can choose different refrigerant R32 or R454B.

// Touchscreen monitor (TS) for more user-friendly operation.

// Soft starters for compressors (SS) will reduce starting current.

// High- and low-pressure gauges (GM) to see the pressure values on refrigerant manometers.

// Ball valves for compressors (BV) and solenoid valve on liquid line (SV) for easy service and more stable operation.

// Phase control relay (FR) // BACnet (BN) // LONworks (LW) // Remote display (RD).



Felzer SIA
Brivibas gatve, 201
Riga, Latvia, LV-1039
tel: +371 230 05 545
sales@felzer.lv
www.felzer.lv

Felzer is continuously improving its products. We therefore reserve the right to change the design and specifications without prior notification.

Rights reserved. Felzer and the Felzer logo are registered trademarks of Felzer SIA. All trademarks to which reference is made herein are the property of their owners.

© Felzer SIA